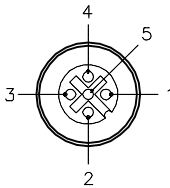
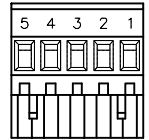
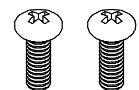
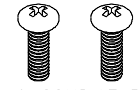
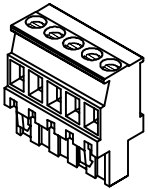
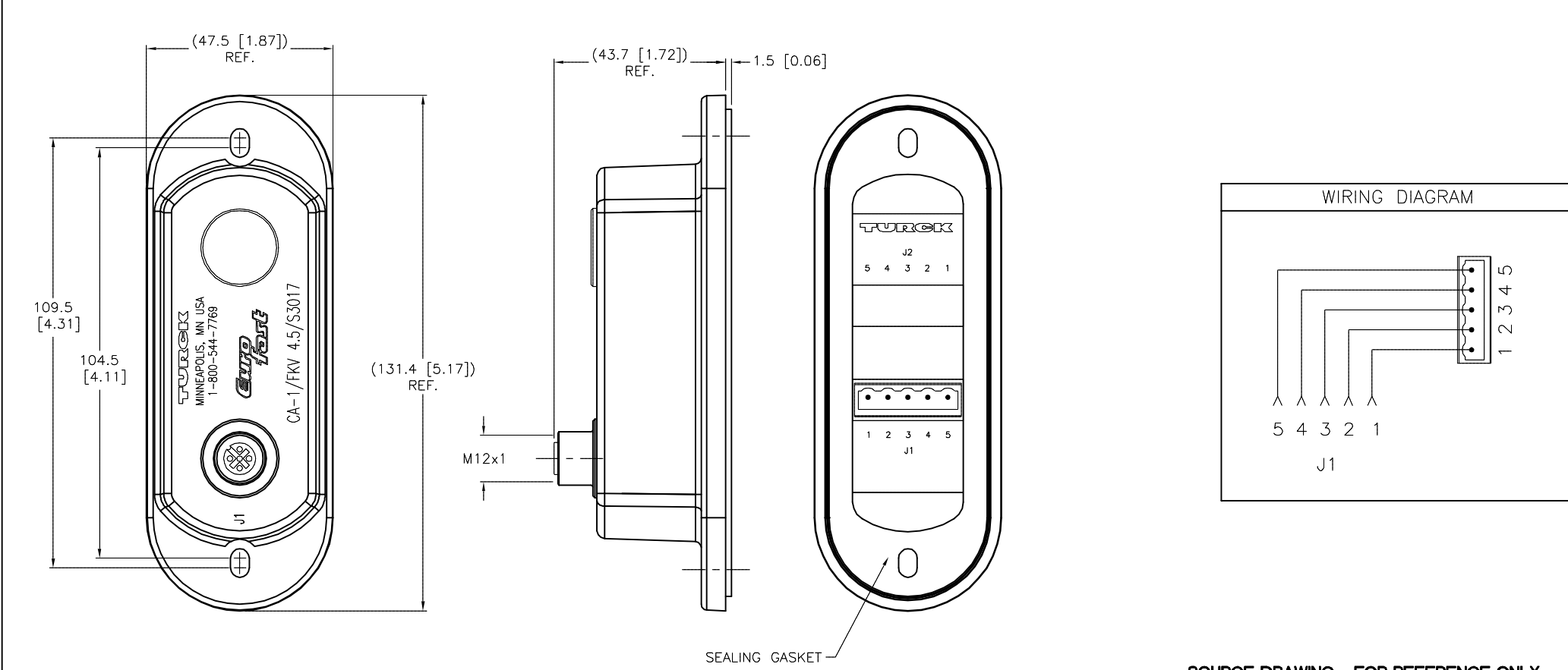
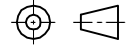


|   |   |  |  |                                 |  |
|---|---|--|--|---------------------------------|--|
| J1 CONNECTOR  | TERMINAL BLOCK PLUG   | COVER SCREWS INCLUDED  | TERMINAL PLUG INCLUDED   | SPECIFICATIONS                  |  |
|  |  | <br>FORM 8 CONDUIT BODIES:<br>10-24 SCREWS<br><br>MARK 9 CONDUIT BODIES:<br>8-32 SCREWS |  | HOUSING MATERIAL/COLOR          | NYLON 66 - 33% GLASS FILLED/BLACK                                |
|   |   |  |  | RECEPTACLE HOUSING MAT'L/FINISH | STAINLESS STEEL/PASSIVATED                                       |
|   |   |  |  | CONTACT CARRIER MATERIAL/COLOR  | TPU/BLACK  |
|   |   |  |  | CONTACT MATERIAL/PLATING        | BRASS/GOLD   |
|   |   |  |  | OPERATING VOLTAGE               | 250 V  |
|   |   |  |  | OPERATING CURRENT               | 4.0 A PER CONDUCTOR  |
|   |   |  |  | PROTECTION CLASS to DIN 40050   | IP 67 - ONLY WHEN RECEPTACLE IS COVERED WITH A PLUG OR CONNECTED |
|   |   |  |  | OPERATING TEMPERATURE           | -30°C to +80°C (-22°F to +176°F)                                 |



SOURCE DRAWING - FOR REFERENCE ONLY

NOTES:  
 1. "/S3017" DESIGNATES SLOTTED HOLE PATTERN ON CONDUIT COVER.

|                    |   |  |     |   |          |
|--------------------|---|--|-----|---|----------|
| RELATED DOCUMENTS  | 3RD ANGLE PROJECTION  | THIS DRAWING IS CONFIDENTIAL AND THE PROPERTY OF TURCK INC. USE OF THIS DOCUMENT WITHOUT WRITTEN PERMISSION IS PROHIBITED. |     | <b>TURCK INC</b><br><i>High Technology Sensors and Automation Controls</i><br>3000 CAMPUS DRIVE<br>MINNEAPOLIS, MN 55441<br>1-800-544-7769<br>(763) 553-7300<br>(763) 553-0708 fax<br>turck.com |          |
| 1.                 |  | DRFT   | RDS | DATE  | 03/10/11 |
| 2.                 |   | APVD   |     | SCALE   | 1=1.5    |
| 3.                 | ALL DIMENSIONS DISPLAYED ON THIS DRAWING ARE FOR REFERENCE ONLY                       | UNIT OF MEASUREMENT  |     | DESCRIPTION   |          |
| 4.                 |   | MILLIMETER [ INCH ]  |     | CA-1/FKV 4.5/S3017  |          |
| MATERIAL           | CONTACT TURCK FOR MORE INFORMATION  | IDENTIFICATION NO.   |     | REV   |          |
| SEE SPECIFICATIONS |   | U2-18638   |     | B   |          |
| FINISH             |   | DO NOT SCALE THIS DRAWING  |     | FILE: U2-18638  |          |
| SEE SPECIFICATIONS |   |  |     | SHEET 1 OF 1  |          |

|     |                    |     |          |         |
|-----|--------------------|-----|----------|---------|
| B   | ADD THICKER GASKET | RDS | 09/12/13 | 42993   |
| REV | DESCRIPTION        | BY  | DATE     | ECO NO. |